

Assembly Instruction Sheet #IS-GLN2006IB

For Style GLN2006IB

Quozel, Inc.
 6 Corporate Parkway
 Goose Creek, SC
 29445

Customer Service
 Phone 631.273.2700
 Fax 631.231.7102
 www. quozel. com

Tools Required: Flathead screwdriver, Phillips screwdriver, pliers, wire cutters, wire strippers, electrical tape, safety glasses.

Bulb Recommended: (1) 12V T5 Wedge Base Halogen Bulb, 18W Maximum (Supplied)
Estimated Assembly Time: 20-30 minutes

Preparation: Identify and inspect all parts before beginning installation. Check package content list and diagrams below to be sure all parts are present. If any parts are missing or damaged, do not attempt to assemble, install, or operate the fixture. Contact customer service for replacement parts.

Warnings and Cautions

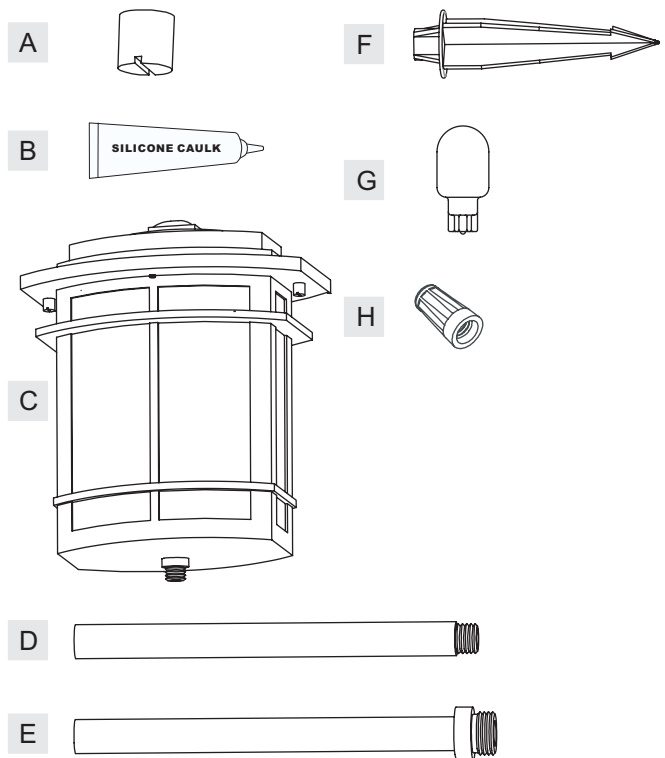
Turn off electricity at circuit breaker or main fuse box before installation. Consult a licensed electrician if in doubt.

These instructions are provided for your safety. It is very important you read them completely before installing the fixture. We strongly recommend that a licensed, professional electrician perform the installation.

Disconnect fixture from power source before replacing bulbs. Make sure bulbs are given sufficient time to cool before removal. Do not subject glass parts to any shock while in operation or shattering may result.

Package Contents

Part	Description	Quantity
A	Lock Ball	2 pcs.
B	Silicone Caulk	1 pc.
C	Fixture Body	1 pc.
D	Tube	1 pc.
E	Tube with Connector	1 pc.
F	Ground Spike	1 pc.
G	T5 Wedge Bulb	1 pc.
H	Wire Connector	2 pcs.

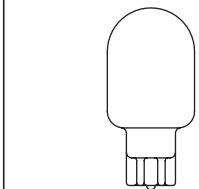
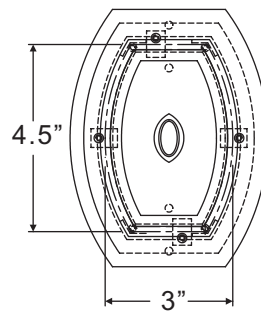
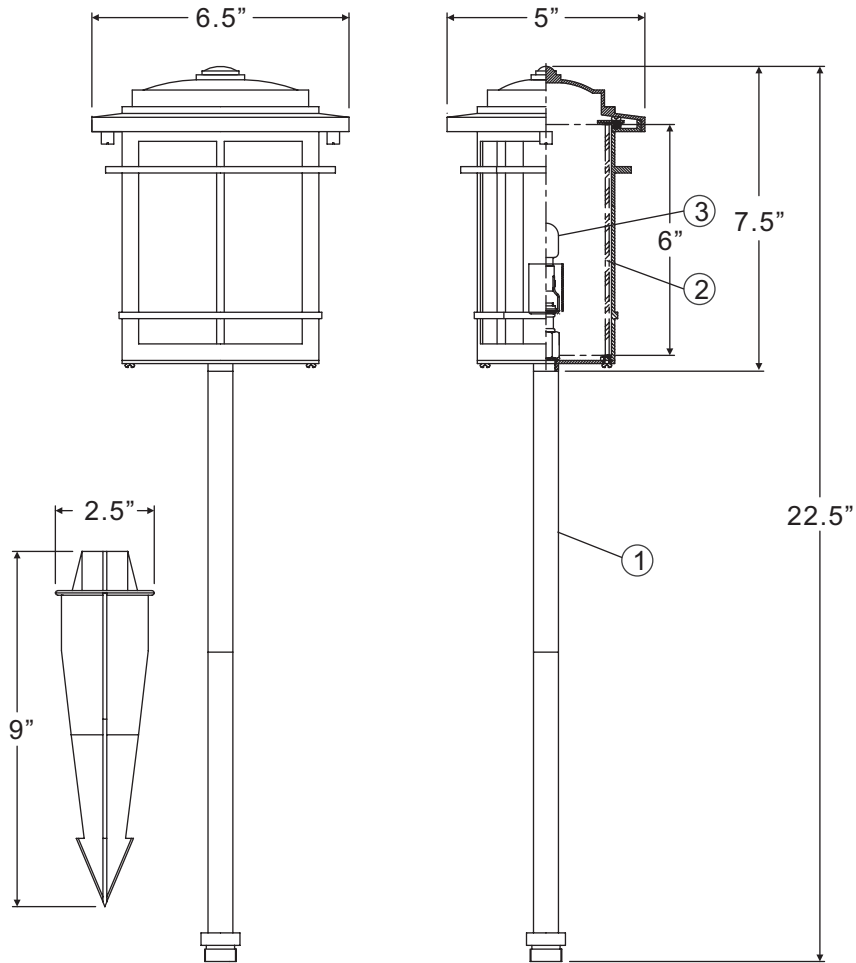
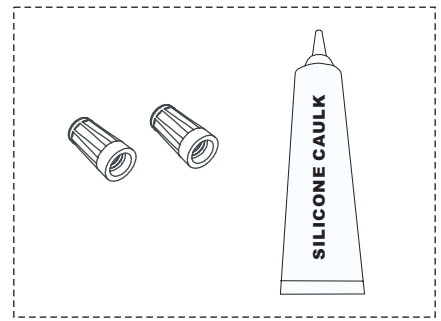


Thank you for purchasing a Quozel product.

Need assistance with parts or assembly? Call Quozel customer service at 1-631-273-2700
 or visit us on-line at www. quozel. com

GLN2006IB

FINISH: IMPERIAL BRONZE



(1) 18W 12V T5 Wedge Base Halogen Bulb (Supplied)

NOTE: ALL DIMENSIONS ARE ROUNDED UP TO THE NEAREST 1/2"

NO.	PART NUMBER	REPLACEMENT PART DESCRIPTION	REQ.
1	12006IBGLN	BASE IMPERIAL BRONZE GLN2006IB	1
2	G2627SH	SHADE INDIA SCAVO GLASS 6.5"D	1
3	I832SC	BULB 12V 18W ARGON T5 CLEAR	1

STEP 1 – Assemble Ground Spike, Tube with Connector, Tube and Cage together

- A. To assemble fixture, thread Tube (D) into the Shade Cage (C), hand tighten until snug.
- B. Thread the Tube with Connector (E) into the Tube (D), hand tighten until snug.
- C. Thread the bottom of Tube with Connector (E) into Ground Spike (F), hand tighten until snug.

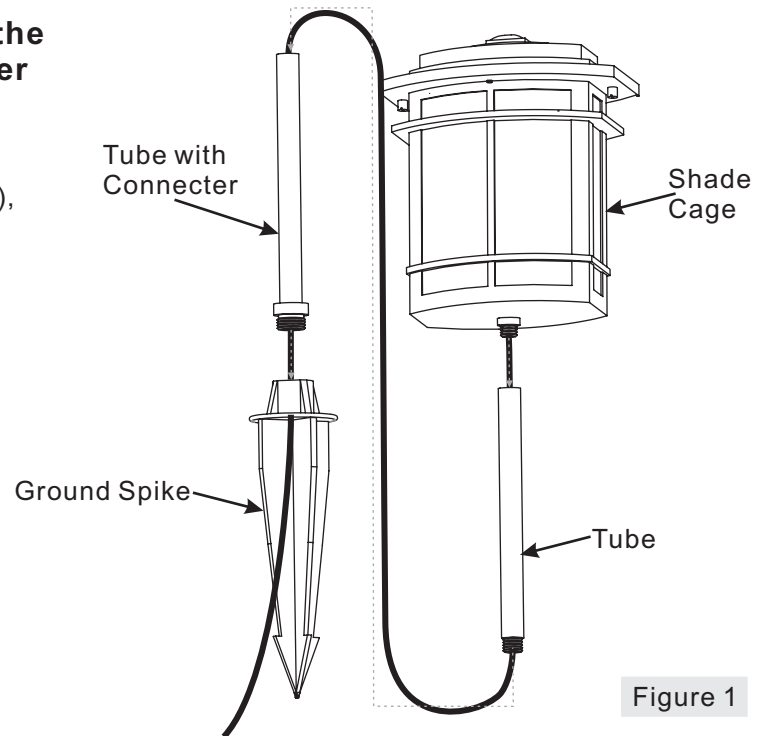


Figure 1

STEP 2 – Remove Fixture Hood from Shade Cage

- A. Remove the Fixture Hood from the Shade Cage by unscrewing the Lock Balls.
- B. Remove the package papers inside of the Shade Cage.

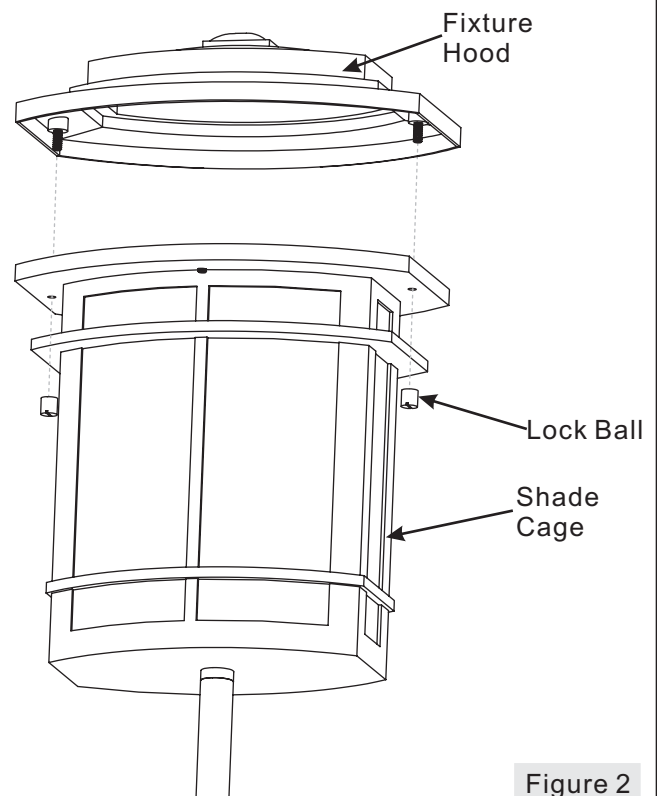


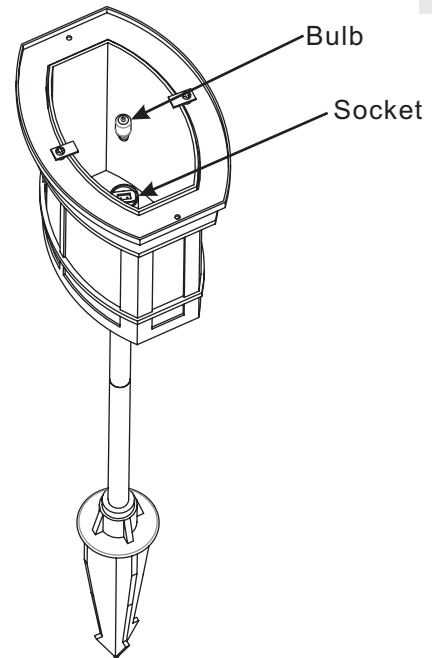
Figure 2

Thank you for purchasing a Quozel product.
Need assistance with parts or assembly? Call Quozel customer service at 1-631-273-2700
or visit us on-line at www. quozel. com

STEP 3 – Install Bulb

- A. This fixture uses 12V T5 Wedge Bulb (G). Maximum 18 watts.
- B. Insert bulb and push snugly into place.

Figure 3



STEP 4 – Install Fixture Hood to fixture

- A. Place Fixture Hood over the Shade Cage, secure by thread the Lock Ball onto the Bolt on the bottom Fixture Hood. Hand tighten until snug.

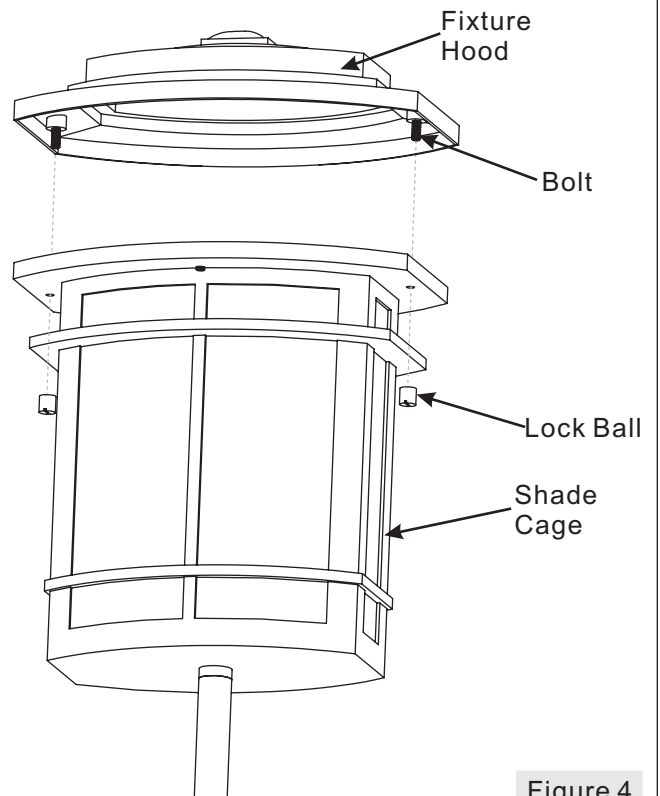


Figure 4

Thank you for purchasing a Quozel product.
Need assistance with parts or assembly? Call Quozel customer service at 1-631-273-2700
or visit us on-line at www. quozel. com

STEP 5 – Make Wire Connections

- Use standard wire connectors to make all wire connections. (Connectors are not included with fixture.) Strip and prepare wire ends according to instructions supplied with connectors.
- Connect White Supply Wire from the 12V transformer (not supplied) to ribbed side wire from fixture.
- Connect Black (or Red) Supply Wire from the 12V transformer (not supplied) to smooth side wire from fixture.
- Twist connectors until wires are tightly joined together.
- Wrap each connection with approved electrical tape and carefully stuff all the connected wires into the Tube.

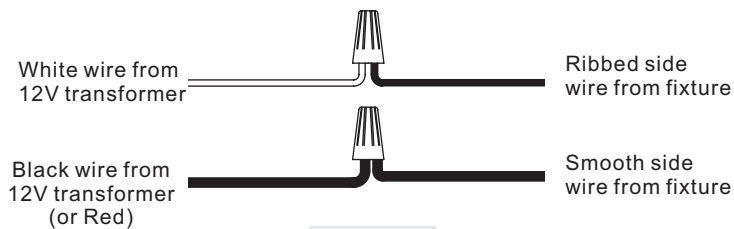
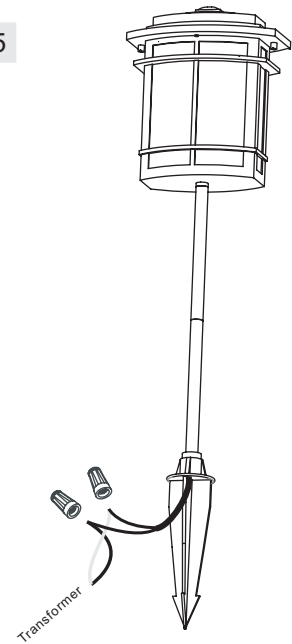


Figure 6

Figure 5

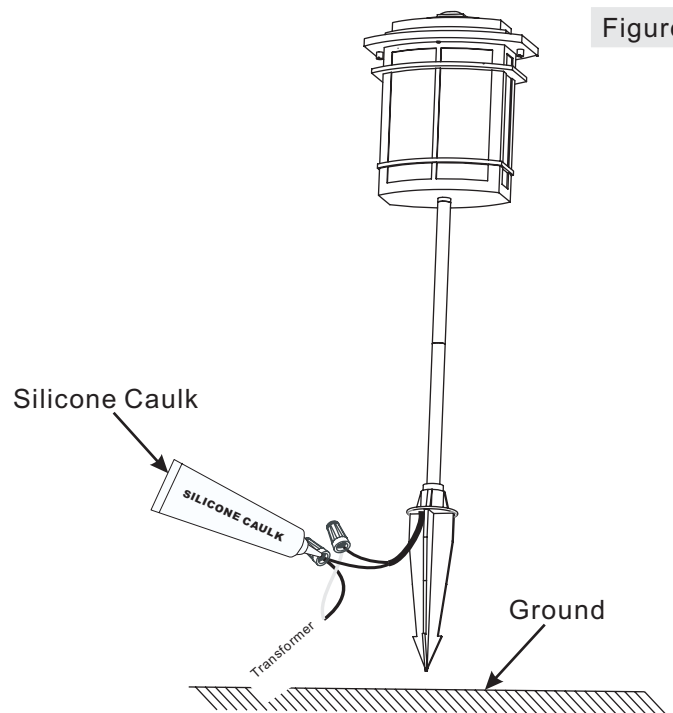


STEP 6 – Apply Silicone Sealer to tube

- Using Silicone Caulk (I) provided, inside each connector (H).
- Place Ground Spike (F) in predetermined location.

Your fixture is now assembled and ready to use.
Enjoy!

Figure 7



Thank you for purchasing a Quozel product.

Need assistance with parts or assembly? Call Quozel customer service at 1-631-273-2700
or visit us on-line at www. quozel. com

CAUTION FOR BULB REPLACING

- A. When replace bulb, turn off power and allow lamp to cool. For safety purpose, wear gloves and eye protection.
- B. If bulb is scratched or cracked, DO NOT use the lamp to avoid breakage during use or installation.
- C. Use only in fixtures rated for lamps wattage and voltage.
- D. Lamp operate under high pressure generating intense heat. Prevent contact with liquid and combustible materials.

**Thank you for purchasing a Quozel product.
Need assistance with parts or assembly? Call Quozel customer service at 1-631-273-2700
or visit us on-line at www. quozel. com**